

# MODEL 8660/62



## Standard Features

### Ergonomic Mid Back Multi-Task Chair

Model 8660 (Armless) 8662 (With Arms)

Pneumatic height adjustment (17" - 22")

Adjustable back height (18" - 20" from seat surface)

Back cushioning of 100% Recyclable polymer foam on a 7-ply hardwood back with compound curve for lumbar support and comfort

Backstrap of 0.25" x 3" Tensile spring steel

Adjustable seat angle (17° back, 6° forward)

Adjustable back tilt angle (5.25° back, 10.5° forward)

Tilter with infinite tilt lock

Tension adjustment

Forward tilt

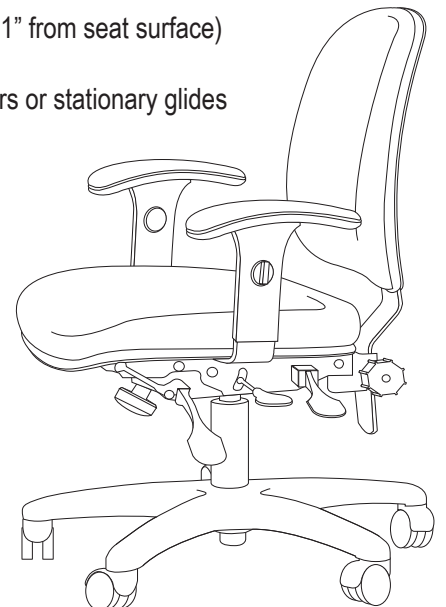
Seat of high density CFC free moulded polyurethane foam, on an 8-ply hardwood seat pan with a compound radius and waterfall front (19" wide x 18" deep x 2.5" thick)

Base is 5 prong, 24" diameter, reinforced nylon construction

All metal connectors fasten to T- nut connectors to create a solid connection

Height adjustable T- Arms (7.5" – 11" from seat surface)

Choice of carpet casters, tile casters or stationary glides



Ardent Manufacturing  
9920 - 70 Avenue  
Edmonton, AB  
Canada T6E 0V7

[www.ardentmfg.com](http://www.ardentmfg.com)  
780-439-4599